

EXAMUNION

Certified IT Exam Material Authority



Accurate study guides, High passing rate!
We offer free update service for one year!

<http://www.examunion.com>

Exam : **JN0-649**

Title : Enterprise Routing and
Switching Professional
(JNCIP-ENT)

Version : DEMO

1.Referring to the exhibit, which two statements are correct? (Choose two.)

```
user@router> show bgp neighbor 192.168.100.2
Peer: 192.168.100.2+179 AS 65000 Local: 192.168.100.1+58355 AS 65000
  Group: overlay          Routing-Instance: master
  Forwarding routing-instance: master
  Type: Internal    State: Established (route reflector client)Flags: <Sync>
  Last State: OpenConfirm    Last Event: RecvKeepAlive
  Last Error: None
  Options: <LocalAddress Cluster AddressFamily Multipath Rib-group Refresh>
  Options: <GracefulShutdownRcv>
  Address families configured: evpn
  Local Address: 192.168.100.1 Holdtime: 90 Preference: 170
  Graceful Shutdown Receiver local-preference: 0
  Number of flaps: 0
  Peer ID: 192.168.100.2    Local ID: 192.168.100.1    Active Holdtime: 90
  Keepalive Interval: 30    Group index: 2    Peer index: 3    SNMP index: 10
  I/O Session Thread: bgpio-0 State: Enabled
  BFD: disabled, down
  NLRI for restart configured on peer: evpn
  NLRI advertised by peer: evpn
  NLRI for this session: evpn
  Peer supports Refresh capability (2)
  Stale routes from peer are kept for: 300
  Peer does not support Restarter functionality
  Restart flag received from the peer: Notification
  NLRI that restart is negotiated for: evpn
  NLRI of received end-of-rib markers: evpn
  NLRI of all end-of-rib markers sent: evpn
  Peer does not support LLGR Restarter functionality
```

```
I/O Session Thread: bgpio-0 State: Enabled
BFD: disabled, down
NLRI for restart configured on peer: evpn
NLRI advertised by peer: evpn
NLRI for this session: evpn
Peer supports Refresh capability (2)
Stale routes from peer are kept for: 300
Peer does not support Restarter functionality
Restart flag received from the peer: Notification
NLRI that restart is negotiated for: evpn
NLRI of received end-of-rib markers: evpn
NLRI of all end-of-rib markers sent: evpn
Peer does not support LLGR Restarter functionality
Peer supports 4 byte AS extension (peer-as 65000)
Peer does not support Addpath
NLRI(s) enabled for color nexthop resolution: evpn
Table bgp.evpn.0 Bit: 20000
  RIB State: BGP restart is complete
  RIB State: VPN restart is complete
  Send state: in sync
  Active prefixes:          0
  Received prefixes:       0
  Accepted prefixes:       0
  Suppressed due to damping: 0
  Advertised prefixes:     15
Last traffic (seconds): Received 9      Sent 20      Checked 91232
Input messages:  Total 3335      Updates 16      Refreshes 0      Octets 64872
Output messages: Total 3335      Updates 15      Refreshes 0      Octets 64872
Output Queue[1]: 0              (bgp.evpn.0, evpn)
```

- A. The BGP neighbor can advertise L3 VPN related routes.
- B. The BGP neighbor cannot advertise EVPN related routes.
- C. The BGP neighbor can advertise EVPN related routes.
- D. The BGP neighbor cannot advertise L3 VPN related routes.

Answer: CD

2.Referring to the exhibit, which two statements are correct? (Choose two.)

```

user@switch> show poe interface
Interface      Admin      Oper      Max      Priority    Power      Class
              status    status    power
              ge-0/0/0  Enabled  OFF      15.4W    Low        0.0W      not-applicable
              ge-0/0/1  Enabled  OFF      15.4W    Low        0.0W      not-applicable
              ge-0/0/2  Enabled  OFF      15.4W    Low        0.0W      not-applicable
              ge-0/0/3  Enabled  OFF      15.4W    Low        0.0W      not-applicable
              ge-0/0/4  Enabled  OFF      15.4W    Low        0.0W      not-applicable
              ge-0/0/5  Enabled  OFF      15.4W    Low        0.0W      not-applicable
              ge-0/0/6  Enabled  OFF      15.4W    Low        0.0W      not-applicable
              ge-0/0/7  Enabled  OFF      15.4W    Low        0.0W      not-applicable
              ge-0/0/8  Enabled  OFF      15.4W    Low        0.0W      not-applicable
              ge-0/0/9  Enabled  OFF      15.4W    Low        0.0W      not-applicable
              ge-0/0/10 Enabled  ON       25.4W(L) Low        11.0W     4
              ge-0/0/11 Enabled  ON       25.4W(L) High       11.4W     4
(L) LLDP-negotiated value on the port.

```

```

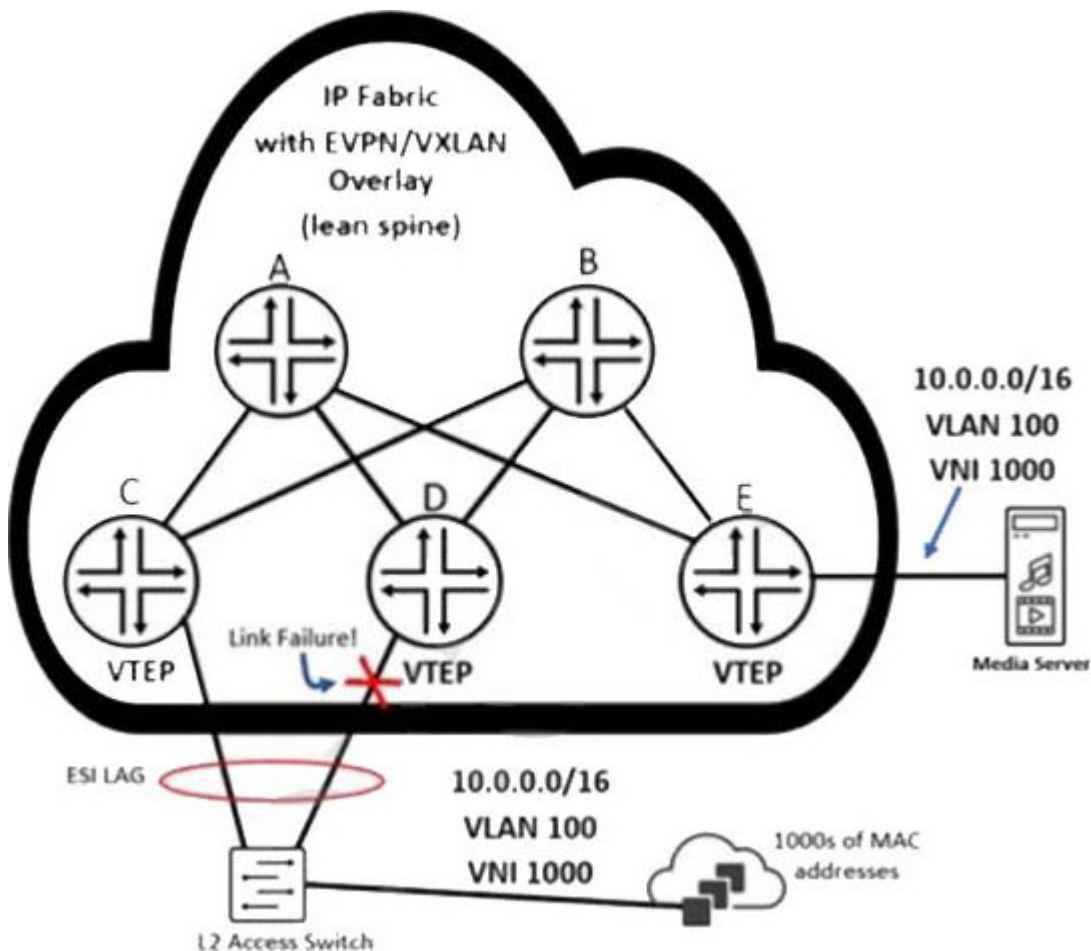
user@switch> show poe controller
Controller      Maximum      Power      Guard      Management      Status      Lldp
index          power        consumption band
              0           100.00W    22.40W     10W          Class       AT_MODE     Disabled

```

- A. The maximum wattage that this switch can allocate to attached Ethernet devices is 100 watts.
- B. If the total power consumption exceeds 90 watts, the ge-0/0/11 interface will continue to receive power.
- C. PoE is not enabled on the ge-0/0/0 interface.
- D. The ge-0/0/10 interface supports PoE+.

Answer: A,D

3. Referring to the exhibit, how will router E quickly learn that the remote MAC addresses are no longer reachable through the router attached to the failed link?



- A. Router E receives Type 2 withdrawal messages from router D.
- B. Router E receives Type 1 withdrawal messages from router D.
- C. Router E receives Type 1 withdrawal messages from router C.
- D. Router E receives Type 2 withdrawal messages from router C.

Answer: B

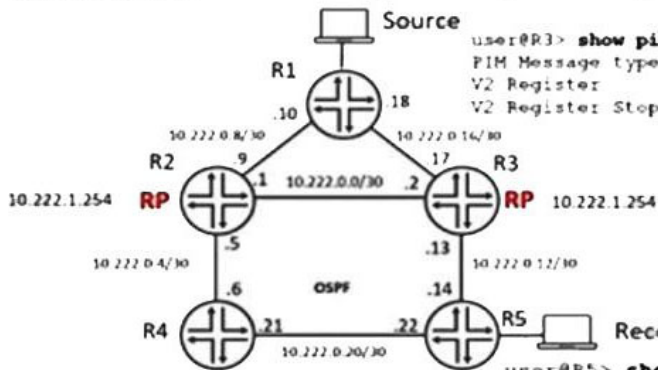
4. You are deploying new Juniper EX Series switches in a network that currently is using Cisco's Per-VLAN spanning tree plus (PVST+) and you must provide compatibility with this environment. Which spanning tree protocol do you deploy in this scenario?

- A. STP
- B. MSTP
- C. VSTP
- D. RSTP

Answer: A

5. Referring to the exhibit, anycast RP is implemented to ensure multicast service availability.


```
user@R1> show pim statistics | match "(PIM Message type)|(V2 Register)"
PIM Message type      Received      Sent  Rx errors
V2 Register           0             857    0
V2 Register Stop      0             0      0
```



```
user@R3> show pim statistics | match "(PIM Message type)|(V2 Register)"
PIM Message type      Received      Sent  Rx errors
V2 Register           857           0      0
V2 Register Stop      0             0      0
```

```
user@R5> show pim join
...
Group: 239.1.1.1
Source: 10.222.3.2
Flags: sparse,spt
Upstream interface: ge-0/0/12.0
```

The source is currently sending multicast traffic using group 239.1.1.1 and R3 is receiving PIM register messages, but R2 does not have active source information.

In this scenario, what are two methods to receive the active source information on R2? (Choose two.)

- A. Configure an RP set in PIM on R1, allowing R1 to forward PIM register messages to R2 and R3 in the set.
- B. Configure an MSDP protocol between R2 and R3.
- C. Configure an RP set in PIM on R2 and R3, allowing the RPs to forward PIM register messages to the other RPs in the set.
- D. Configure an MSDP protocol between R1 and R2.

Answer: A,C